




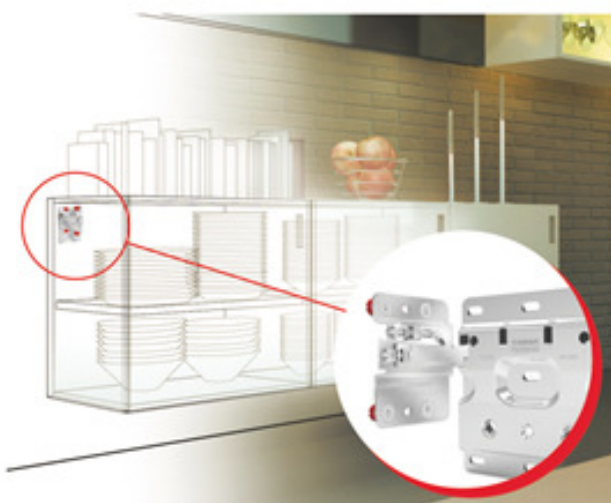


## 807

-  THE HANGING BRACKET FOR BASE CABINETS
-  IL REGGIBASE PER MOBILI SOSPESI
-  UNTERSCHRANKAUFHÄNGER FÜR HÄNGESCHRÄNKE
-  LA SUSPENSION POUR MEUBLES BAS
-  EL COLGADOR PARA SUSPENDER MUEBLES BAJOS



**3D ACTIVE SAFETY**  
**SICUREZZA ATTIVA 3D**  
**SECURITE ACTIVE 3D**  
**AKTIVE SICHERHEIT 3D**  
**SEGURIDAD ACTIVA 3D**



**CAMAR**

31 | 268

01-05-2016

# 807 02 Z1 IN

DX  
SX



**New**



<a href="http://www.camar.it/warning">www.camar.it/warning</a>		

100    3000    800

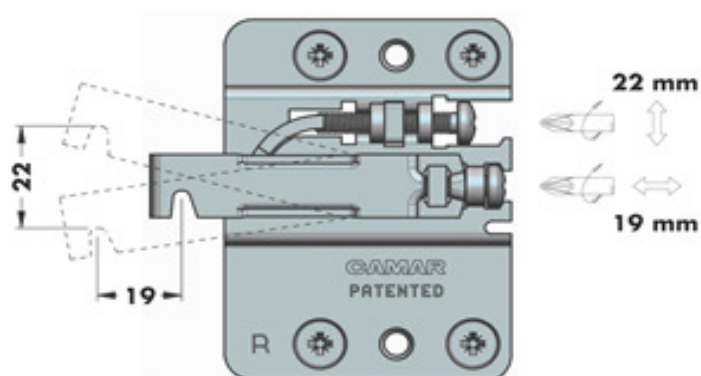
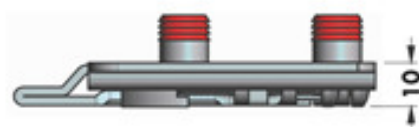
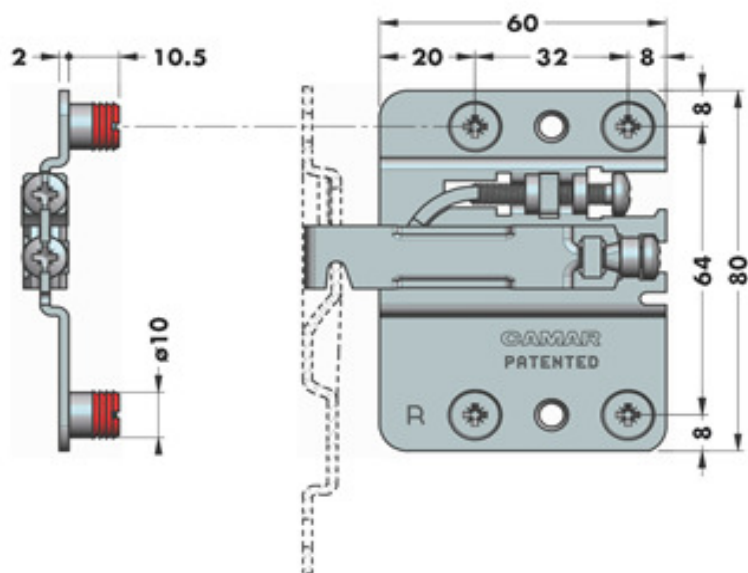


4

	897 AS Z1 12 12  581 897  AM   583		807 00  00   534 807 00  55   535 807 00  31   535		807 00 P2 AP 00  529
	810 00  38 24  543		807 00 AL MA 00  528		

# 807 02 Z1 IN □

4



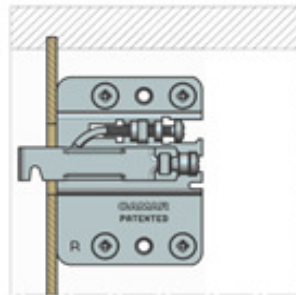
**CAMAR**

31 | 270

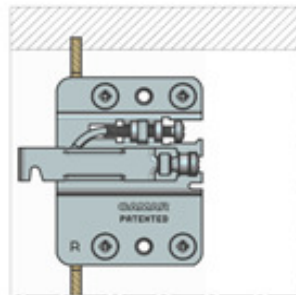
01-05-2016

## 807 02 Z1 IN □

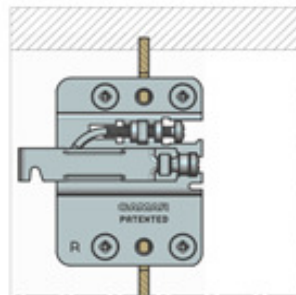
F<sub>1</sub>



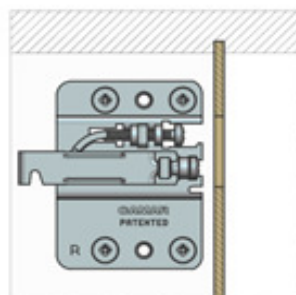
F<sub>2</sub>



F<sub>3</sub>



F<sub>4</sub>



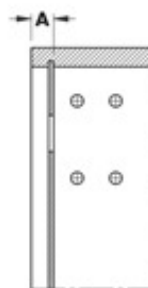
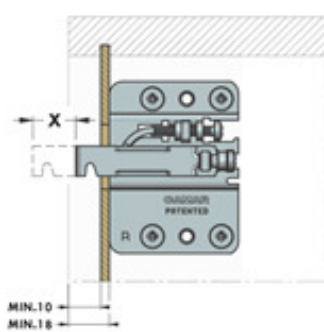
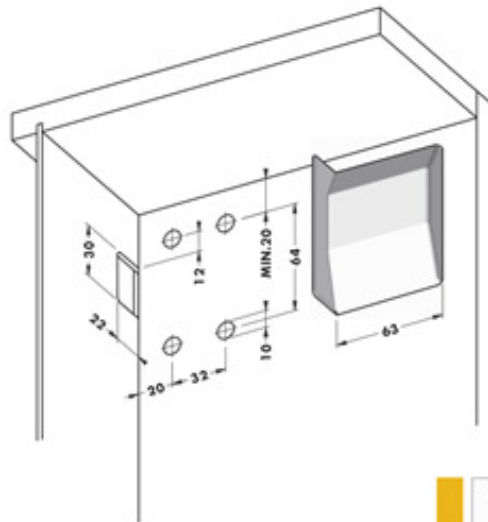
**CAMAR**

31 | 271

01-05-2016

# 807 02 Z1 IN □

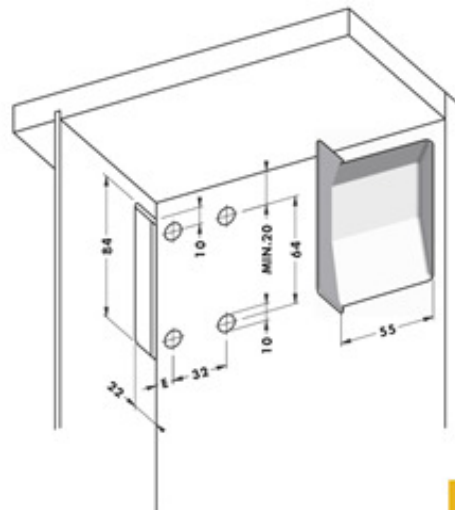
F<sub>1</sub>



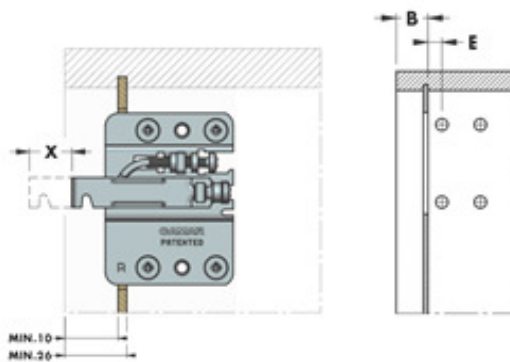
A	X
18	19
19	18
20	17
21	16
22	15
23	14
24	13
25	12

807 02 Z1 IN □

F<sub>2</sub>



4



B	X	E
26	19	12
27	19	11
28	19	10
29	18	
30	17	
31	16	
32	15	
33	14	
34	13	
35	12	
36	11	
37	10	
38	9	
39	8	
40	7	
41	6	
42	5	

CAMAR

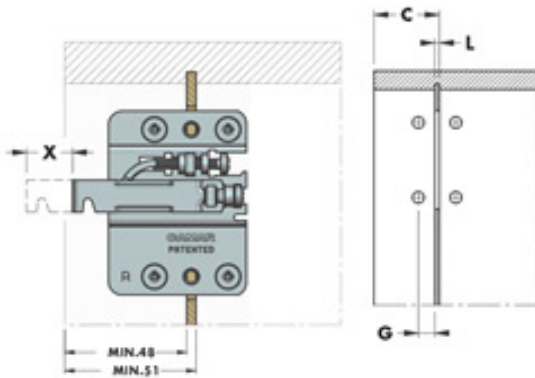
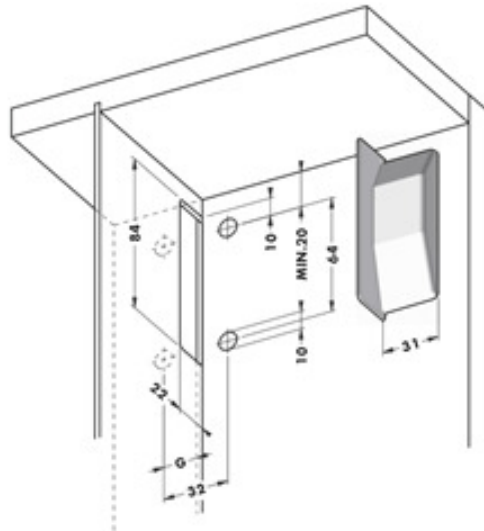
3.1 | 273

01-05-2016

# 807 02 Z1 IN □

F<sub>3</sub>

4



C	L=3		L=4		L=5		L=6	
	X	G	X	G	X	G	X	G
51	19	10						
52	19	11	19	10				
53	19	12	19	11	19	10		
54	19	13	19	12	19	11	19	10
55	19	14	19	13	19	12	19	11
56	19	15	19	14	19	13	19	12
57	19	16	19	15	19	14	19	13
58	19	17	19	16	19	15	19	14
59	19	18	19	17	19	16	19	15
60	19		19		19		19	
61	18		18		18		18	
62	17		17		17		17	
63	16		16		16		16	
64	15	19	15	18	15	17	15	16
65	14		14		14		14	
66	13		13		13		13	
67	12		12		12		12	
68	11		11		11		11	

807 02 Z1 IN □

F<sub>4</sub>

